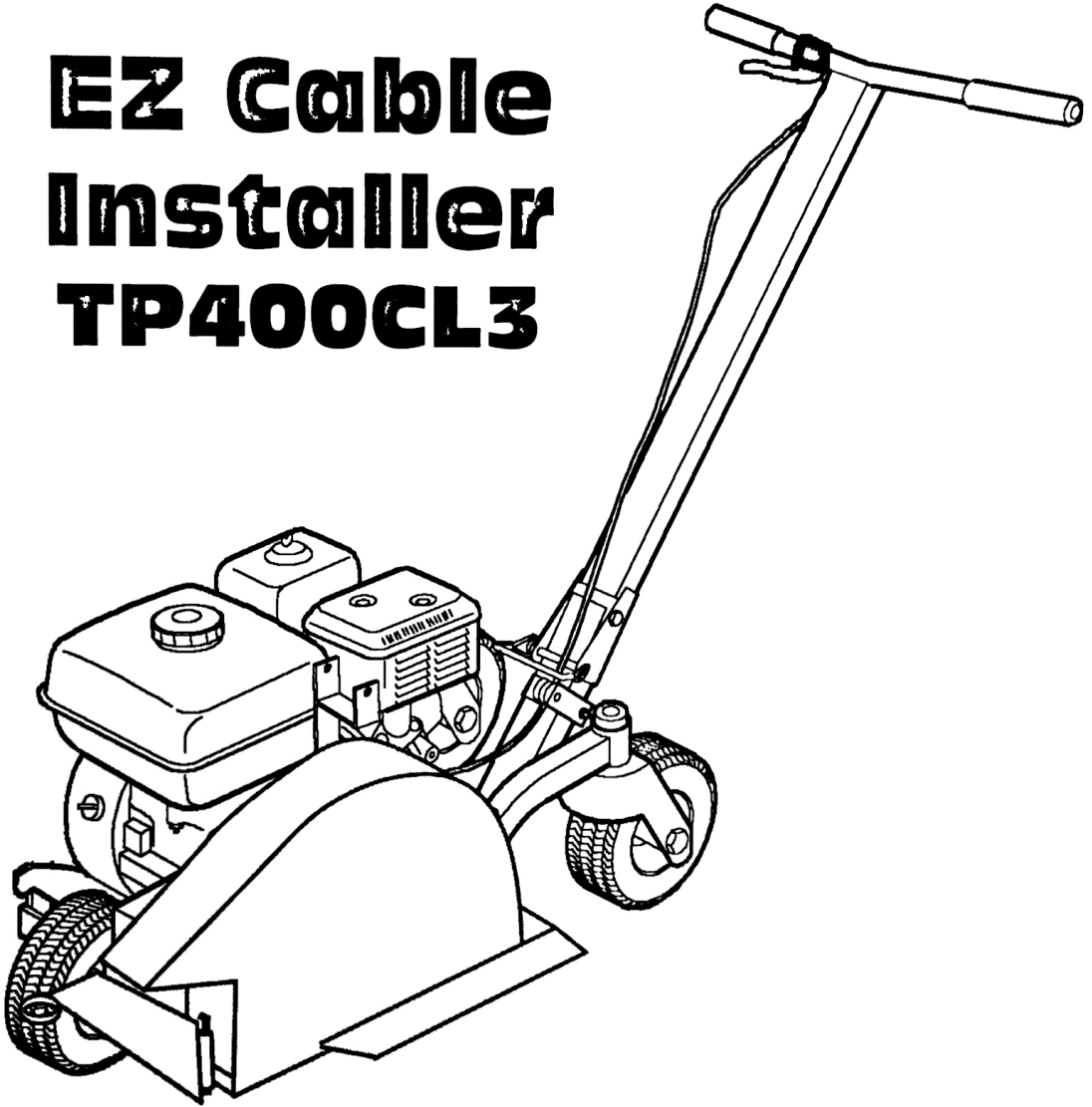


E-Z TRENCH[®]

OUR NAME SAYS IT ALL

EZ Cable Installer TP400CL3



Owners Manual

E-Z Trench Manufacturing Co.

2315 S. Hwy. 701 • Loris, S.C. 29506

(843) 756-6444

Fax (843) 756-6442

www.eztrench.com

A WORD TO E-Z TRENCH OWNERS . . .

THIS MANUAL HAS BEEN PREPARED TO ACQUAINT YOU WITH THE ASSEMBLY, OPERATION AND MAINTENANCE OF YOUR TRENCHING MACHINE, AND TO PROVIDE SAFETY INFORMATION. WE URGE YOU TO READ IT CAREFULLY AND FOLLOW THE RECOMMENDATIONS CONTAINED TO HELP ASSURE THE MOST TROUBLE-FREE OPERATION.

WE WOULD LIKE TO TAKE THIS OPPORTUNITY TO THANK YOU FOR CHOOSING E-Z TRENCH, AND TO ASSURE YOU OF OUR CONTINUING INTEREST IN YOUR NEEDS.

INDEX

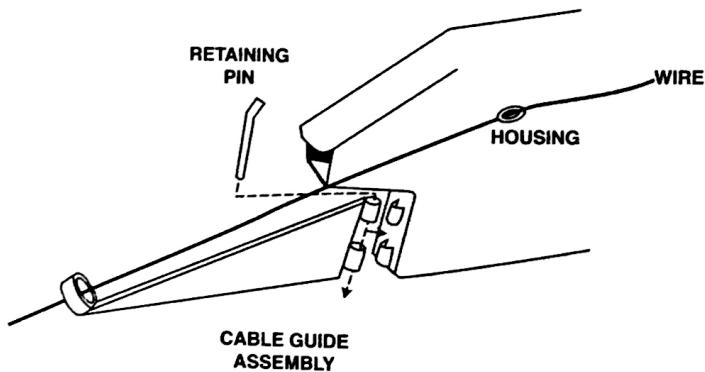
1. A WORD TO E-Z TRENCH OWNERS
2. WARNING & SAFETY PRECAUTIONS / OPERATING INSTRUCTIONS
3. TROUBLE SHOOTING / MAINTENANCE SCHEDULE
- 4.-5. TERMS & CONDITIONS OF SALE - WARRANTY
- 6.-7. TP400CL3 PARTS DIAGRAM / SCHEMATIC
8. MAINTENANCE GRID
- 9.-10. NOTES

WARNINGS! & SAFETY PRECAUTIONS

1. KEEP HANDS AND FEET CLEAR OF HIGH SPEED DIGGING BLADE.
2. NEVER MANUALLY ROTATE BLADE WHEN ENGINE IS IN "ON" POSITION.
3. ALWAYS WEAR EYE PROTECTION.
4. KEEP HANDS AND FEET CLEAR OF PULLEYS AND BELTS WHEN ENGINE IS RUNNING.
5. CLEAR TRENCHING PATH OF ANY DEBRIS OR TOOLS.
6. LOCATE ALL UNDERGROUND POWER, TELEPHONE, GAS AND WATER LINES BEFORE TRENCHING.
7. NEVER ATTEMPT TO USE THE MACHINE WITH THE GUARD/S REMOVED. BODILY HARM COULD OCCUR.
8. NEVER MODIFY ANY PART OF THE MACHINE TO USE FOR A PURPOSE OTHER THAN WHAT IT IS DESIGNED FOR.
9. DO NOT USE MACHINE FOR ANY PURPOSE OTHER THAN ITS INTENDED PURPOSE.

OPERATING INSTRUCTIONS

1. FILL CRANKCASE OF ENGINE AND CLUTCH WITH OIL. FOLLOW INSTRUCTIONS OF ENGINE MANUFACTURER.
2. LOAD CABLE/WIRE REEL ONTO HOLDING DEVICE (314).
3. PLACE THE DROP CABLE THROUGH THE CABLE GUIDE AND PULL OFF A LENGTH SUFFICIENT FOR BUILDING ENTRY. AT THE MACHINE, ANCHOR THE CABLE/WIRE.



4. START ENGINE. (SEE ENGINE MANUAL FOR INSTRUCTIONS)
5. PRESS DOWN ON HANDLES SLIGHTLY TO REMOVE DOWNWARD PRESSURE ON DEPTH ADJUSTMENT PIN THEN SQUEEZE LEFT TRIGGER. AS YOU DO THIS, SQUEEZE THE RIGHT THROTTLE TRIGGER TO MAXIMUM THROTTLE. (THIS STARTS THE BLADE SPINNING SO IT WILL DIG INTO THE GROUND AS YOU LOWER THE FRONT TO OPERATION DEPTH.)
6. NEXT, SLOWLY LOWER THE FRONT OF THE UNIT UNTIL THE MACHINE IS LEVEL. RELEASE LEFT TRIGGER AND THEN PRESS DOWN SLIGHTLY ON HANDLES. THIS WILL ENGAGE THE DEPTH SETTING AT THE MAXIMUM DEPTH.
7. MAKE SURE PATH IS CLEAR AND GENTLY PULL MACHINE.

8. WHEN YOU ARE FINISHED TRENCHING TURN ENGINE OFF.
9. MOVE FRONT WHEEL CARRIAGE TO TRAVELING POSITION BY REVERSING STEP 4.

TROUBLE SHOOTING

<u>PROBLEM</u>	<u>SOLUTION</u>
IRREGULAR OR EXCESSIVE BELT WEAR	<ol style="list-style-type: none"> 1. CHECK FOR PULLEY MISALIGNMENT. 2. USE OF OTHER THAN FACTORY POWER-RATED BELTS. 3. RATE OF DIG IS TOO FAST FOR SOIL CONDITION.
EXCESSIVE VIBRATION	<ol style="list-style-type: none"> 1. LOOSE, BENT, OR BROKEN BLADE OR BIT. 2. LOOSE ENGINE MOUNT BOLTS. 3. ENGINE R.P.M. SHOULD BE 3600 R.P.M.
HOUSING CLOGGING WITH DIRT	<ol style="list-style-type: none"> 1. SOIL IS TOO WET. 2. FOREIGN OBJECT IN HOUSING.
BENT OR BROKEN DIGGING BLADE	<ol style="list-style-type: none"> 1. STRIKING HARD OBJECTS, SUCH AS BRICKS, LARGE ROCKS, AND STEEL OBJECTS.

MAINTENANCE SCHEDULE

Perform at every indicated month or operating hour interval, whichever comes first.	Every Use	First month or 20 Hrs.	Every 3 months or 50 Hrs.	Every 6 months or 100 Hrs.
Check blade and bits	<input type="checkbox"/>			
Check engine oil & air filter	<input type="checkbox"/>			
Lubricate pivot points after washing	<input type="checkbox"/>			
Tighten any loose bolts		<input type="checkbox"/>		
Change engine oil		<input type="checkbox"/>	<input type="checkbox"/>	
Check air pressure of tires			<input type="checkbox"/>	
Clean air filter or replace			<input type="checkbox"/>	
Change clutch oil		<input type="checkbox"/>	<input type="checkbox"/>	

TERMS AND CONDITIONS OF SALE

USE:

E-Z TRENCHER IS DESIGNED TO TRENCH IN SOIL ONLY. ANY OTHER USE IS AT THE RISK OF THE OWNER.

PRICES:

Prices are subject to change without notice and will be invoiced at prices in effect on date of order.

CHANGES:

E-Z TRENCH MANUFACTURING, Inc. reserves the right to discontinue items, change specification, design, or prices at any time, without notice and without incurring any obligation whatsoever.

FREIGHT POLICY:

All orders are F.O.B., Loris, South Carolina, USA. Title to goods and risk of loss passed in Loris, South Carolina.

DAMAGED OR LOST SHIPMENTS:

All shipments must be carefully inspected. In case of damaged or loss, accept the shipment, but have carrier note damages or loss on delivery receipt. If it is concealed damage, call carrier for inspection. Make claim for damage with carrier.

LIMITED WARRANTY:

The E-Z Trencher is warranted against defects in workmanship or materials for a period of one year. Blades, bits, belts and bearings, which are normal wear items, are not warranted. This warranty covers replacement of parts only, no consequential damages are covered. In the event of a warranty claim contact E-Z Trench Manufacturing Company, Inc. This warranty does not include products which have been subject to improper use, or application, or misuse, neglect or accident; nor does it attend to products which have been repaired or altered by other than E-Z Trench Manufacturing Company, Inc. All warranty repairs are F.O.B., Loris, S.C, U.S.A. E-Z Trench Manufacturing Company, Inc. will not be responsible for any transportation charges.

THERE IS NO OTHER EXPRESS WARRANTY. TO THE EXTENT PERMITTED BY LAW ALL IMPLIED WARRANTIES INCLUDED THOSE OF MERCHANTABILITY AND FITNESS FOR A PARTICULAR PURPOSE ARE EXCLUDED. LIABILITY FOR CONSEQUENTIAL DAMAGES UNDER ANY AND ALL WARRANTIES ARE EXCLUDED TO THE EXTENT THAT EXCLUSION IS PERMITTED BY LAW. Some states do not allow limitation on how long an implied warranty lasts, and some

TERMS AND CONDITIONS OF SALE CONTINUED

states do not allow the exclusion or limitation or incidental or consequential damages, so the above limitation and exclusion may not apply to you. This warranty gives you specific legal rights and you may also have other rights which may vary from state to state.

E-Z Trench Manufacturing Company, Inc. does not warrant the engine but the purchaser must look to engine manufacturer for the warranty of the engine.

NORMAL WEAR:

Warranty will not cover repair where normal use has exhausted the life of a part. Trenchers, like all mechanical devices, need periodic parts replacement and service to perform well. It should be remembered that the service life of any trencher is dependent on the care it receives and the conditions under which it has to operate. Trenchers operate in harsh conditions, which can cause what appears to be premature wear. Such wear, when caused by rocks or other abrasive material, is not covered by warranty.

E-Z TRENCH WARRANTY DOES NOT COVER ABUSE OR NEGLIGENCE:

1. Bent or broken parts; Such damage is normally the result of abuse, such as striking a solid object with the cutting blade.
2. Broken parts, which results from excessive vibration caused by loose engine mounting, loose cutting blades, unbalanced blades, improperly attaching equipment to trencher, overspeeding or abuse in operation.
3. Misuse, neglect, improper operation, damage or abuse.
4. Alteration or removal of name plates or serial numbers.
5. Modification or change of this product outside the factory.

STANDARD TERMS:

1. C.O.D./F.O.B., Loris, SC, USA
2. Cash, money order, certified check, or wire transfer with order.
3. 30 day with approved credit.

All sales are final with no right to return, price protection or implied consignment. No person, including agent, representative, or employee of E-Z TRENCH MANUFACTURING, Inc. is authorized to assume for E-Z TRENCH MANUFACTURING, Inc. any obligation or liability concerning terms or conditions of sale other than that expressly stated herein.

EFFECTIVE MARCH 1, 1985

E-Z TRENCH®

OUR NAME SAYS IT ALL

843-756-6444

TP400CL3 PARTS LIST

<u>PART #</u>	<u>DESCRIPTION</u>	<u>PART #</u>	<u>DESCRIPTION</u>	<u>PART #</u>	<u>DESCRIPTION</u>
301	CABLE FEEDER GUIDE	BE312	HANDLE LOCK PIN	EZ3	DEPTH ADJ. TRIGGER
303	HOOD CABLE GUIDE	BE419	FRAME	EZ317	CASTER
306	PNEUMATIC TIRE & WHEEL	BE325	DEPTH ADJ. PIN RETURN SPRING	EZ329	REAR CASTER BUSHINGS
314	CABLE REEL HOLDER	BE326-DW	FRONT WHEEL CARRIAGE	EZ380	BLADE NUT
319	BELT IDLER	BE327	F.W.C. BOLT	EZ4	DEPTH ADJ. CABLE
395	4" ROTOR SHAFT PULLEY	BE386	3" ENGINE PULLEY	EZ6825	1/2" X 25" DRIVE BELT
404	ENGINE BRACKET/BELT GUARD	BE419	FRAME	EZ70	IDLER PULLEY
1001	FRONT TIRE	BE424	DEPTH ADJUSTMENT PIN	EZ90	OUTPUT SHAFT KEY
1200	CASTER PUSH CAP	BE426	DEPTH ADJ. CABLE RETAINER	EZ91	CONCENTRIC LOCK COLLAR
8220	FRONT WHEEL PUSH CAPS	CL403	BLADE GUARD FOR 3.5" DEPTH		
313A	HANDLE		THROTTLE TRIGGER		
9142C	DRIVE SHAFT KEY	EZ1	BELT TENSION SPRING		
BE305-DW	FRONT AXLE	EZ10	TENSIONER EYE BOLT		
BE311	OUTPUT SHAFT	EZ11S	HANDLE GRIPS		
		EZ16	THROTTLE CABLE		
		EZ2	SEALED BEARING		
		EZ22			

